

CONTINUOUS WEIGHING SCALE



B103B

CONTINUOUS WEIGHING SCALE



Efficient



Safe



Accuracy

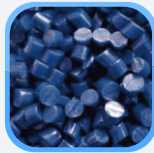


Smart



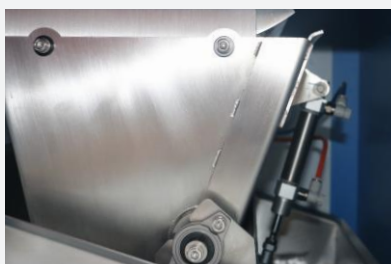
Product Introduction

This scale is a weighing and batching equipment with intermittent feeding and continuous discharging. During the operation, it can constantly discharge with uniform mixing material and automatic flow correction. High cumulative accuracy and precise batching ratio are its outstanding features. It can be widely used in food processing, chemical, port and other industrie that need continuous operation and automatic control of material flow rate.



Feature

- Discharging level detection to ensure uniformity of flowing material;
- Capable for any granule matetial;
- With the function of flow self-adaption during the operation;
- One set for cleaning material in the weighing hopper after batching.

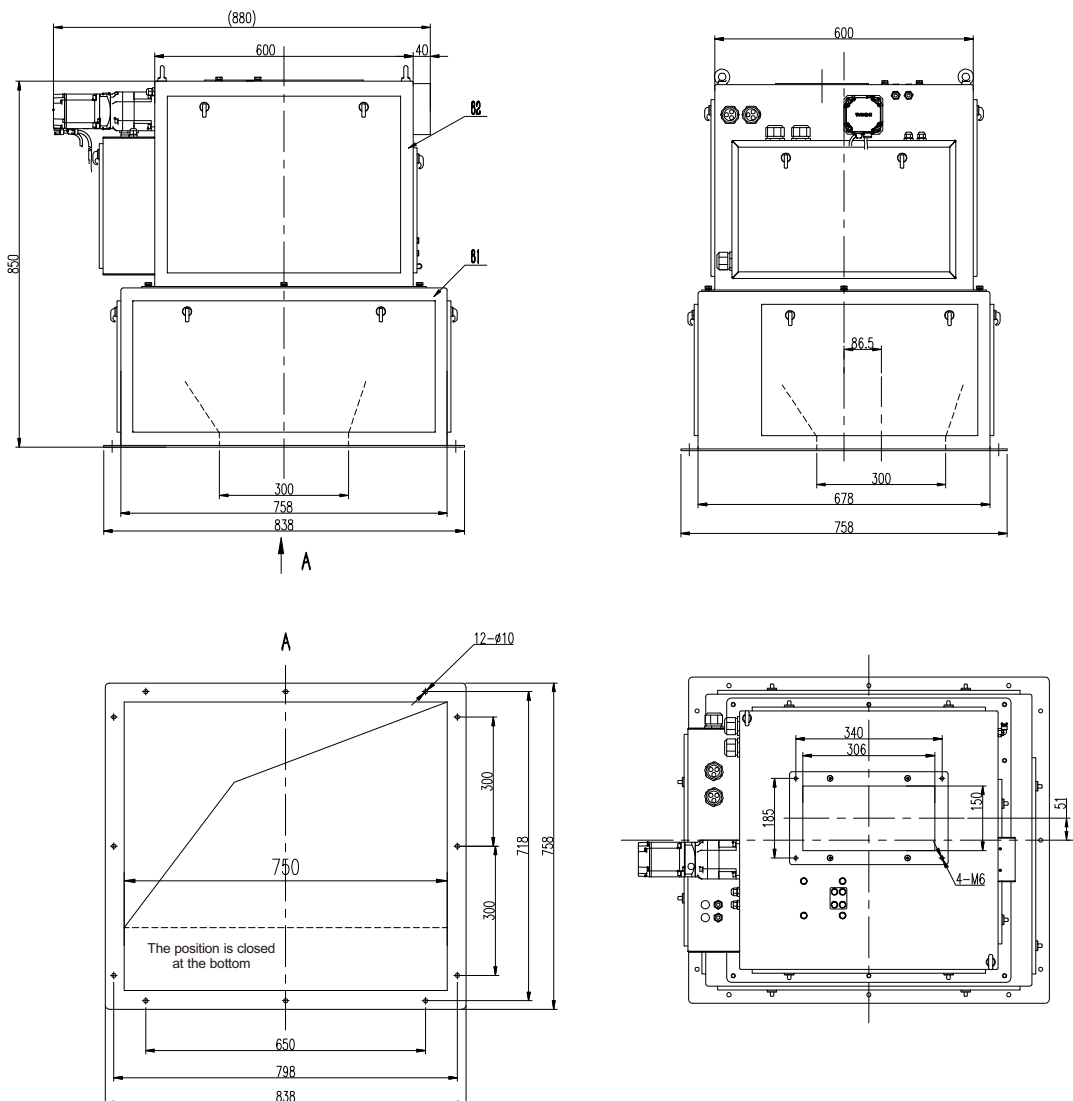


Specification

Model	B103B-12T
Productivity	0.5~12t/h
Accuracy	≤0.5%
Accumulated accuracy	≤0.1%
Power	0.25KW
Air supply	0.4~0.6MPa
Power supply	AC 220V 50Hz
Operating temperature	0~40°C
Dimension	600×850×838mm
Material	Food contacting material S304 stainless steel

Structure & Dimension

Unit: mm



ENTERPRISE PROFILE



30⁺
years
Industry Experience



40⁺
Country Sales



100⁺
R&D Patent



2000⁺
Application of the scene

General Measure established in 1993, as one of China's earliest industrial weighing company who is also a national high-tech enterprise, has over 50 people in the R&D team. For 28 years, we have been committed to improving the automatic process of industrial weighing and the precision of weighing control.

In 2003, we began to open the overseas market. Since 2006, General Measure dominated the high-end market and occupying more than 25% of the market in China. To expand the global business scale, we have been focusing on overseas markets since 2012. It has been seen that the average sales growth is above 30% every year.

We will continue to provide reliable industrial weighing indicators and equipment with excellent performance and weighing solutions with innovative value to our partners. Listening, Innovating, and growing together is our value, which guides us to achieve win-win cooperation by helping clients achieve their goals.

Combining cutting-edge technology to disrupting the industry status-quo, making weighing more accessible.



Global Clients 2000+

ZOOMLION

prompt
We Promise. We Deliver.

CONCH

DIGITAL
SCALE

FAMSUN
牧羊丰尚

muyuan 牧原

PESAR
PRECISION GROUP

altus

中国邮政
CHINA POST

wilmar

Amul

BCI
INGENIERIA



[LinkedIn](#)



[Facebook](#)



[Wechat](#)



General Measure Technology Co.,Ltd.

Address: Room2208, Block A, Building 6, Shenzhen International Innovation Valley,
Nanshan District, Shenzhen, Guangdong Province, P.R.China.

Tel/Wechat: +86 185 6585 5789

E-mail: xjlv@szgmt.com

Website: www.gmweighing.com